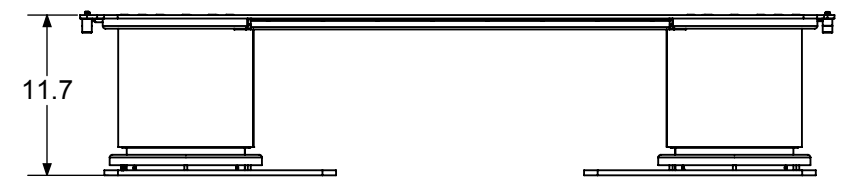
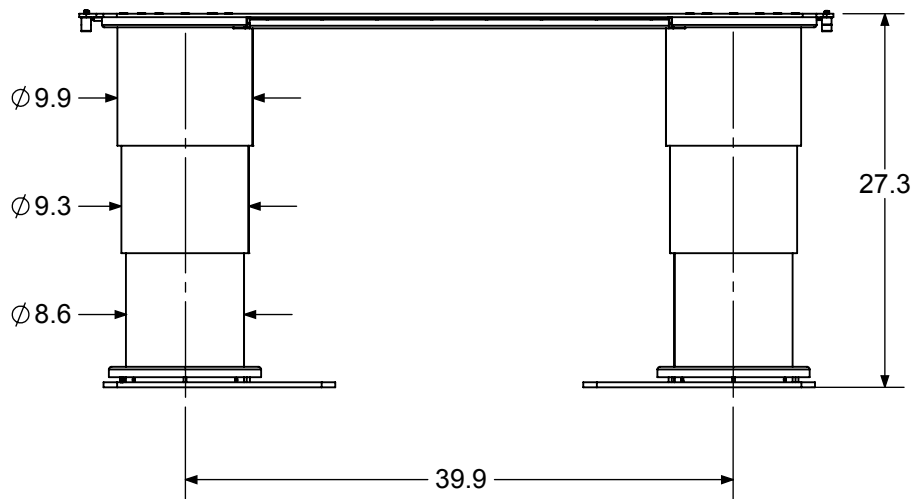
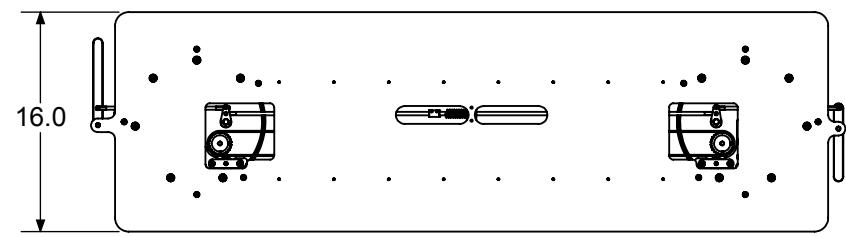
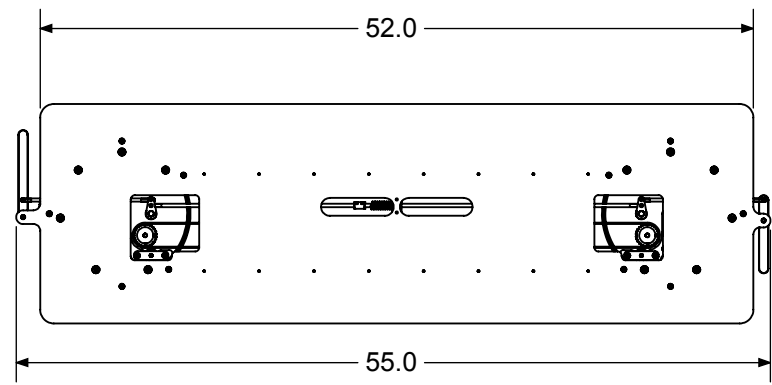



REV.	DATE	DESCRIPTION
IR	8/30/12	INITIAL RELEASE
A	9/25/12	ADDED 2759 COMPRESSION SPRING, 2424K11 SHAFT COLLAR, 3539833 SPRING BLOCK
B	11/27/12	REDESIGN AND CREATED NEW DRAWING



UNLESS OTHERWISE SPECIFIED DIMENSIONS ARE IN INCHES			DRAWN BY JD		DATE 11/27/12		 5362 INDUSTRIAL DRIVE HUNTINGTON BEACH, CA 92649
TOLERANCES ON DECIMALS ANGLES			CHECKED BY MH		DATE 11/27/12		
.0 ± .1	MACH.	FORMED	APPROVED MH		DATE 11/27/12		
.00 ± .01	±0°30'	±2°					
.000 ± .005							
DO NOT SCALE PRINT BREAK ALL SHARP EDGES							
ODD DASH NO'S SHOWN NEXT HIGHER CONSECUTIVE EVEN DASH NUMBER OPPOSITE			SIZE A		SCALE 1:14		TITLE DUAL PEDESTAL HI-LO TABLE
			DRAWING NUMBER 3537-039		SHEET NO. 3 OF 3		

STEECON CORPORATION PROPRIETARY RIGHTS ARE INCLUDED IN THE INFORMATION DISCLOSED HEREIN. RECIPIENT BY ACCEPTING THIS DOCUMENT AGREES THAT NEITHER THIS DOCUMENT NOR THE INFORMATION DISCLOSED HEREIN NOR ANY PART THEREOF SHALL BE REPRODUCED OR TRANSFERRED TO OTHER DOCUMENTS OR USED OR DISCLOSED TO OTHERS FOR MANUFACTURING OR FOR ANY OTHER PURPOSE EXCEPT AS SPECIFICALLY AUTHORIZED IN WRITING BY STEECON CORPORATION.

FILE:3537-039 DUAL PEDESTAL HI-LO TABLE REV B