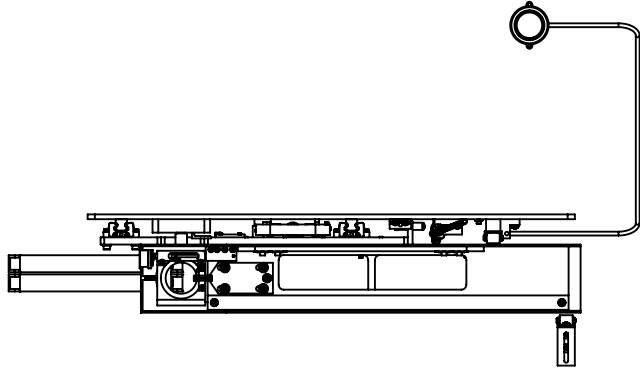
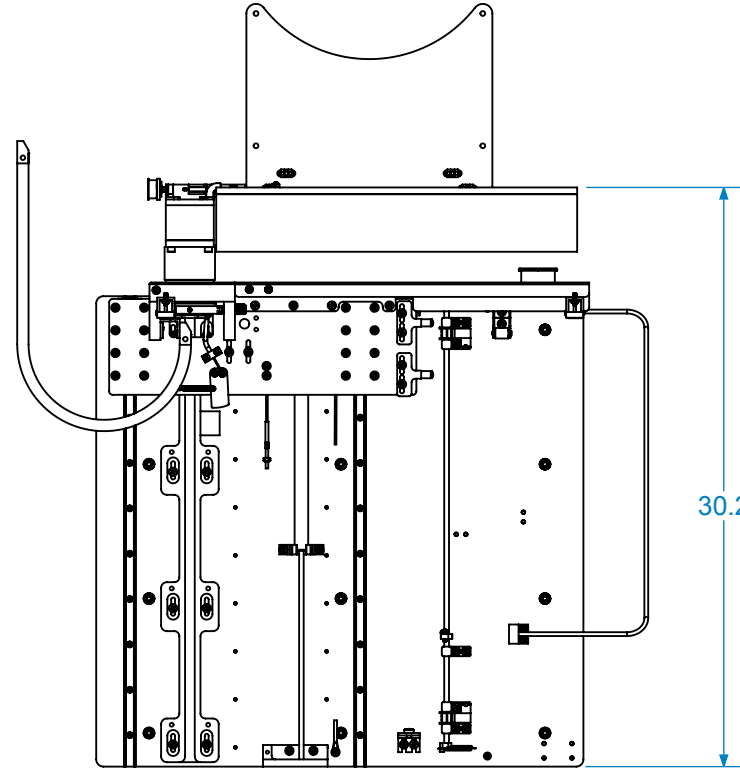


REV.	DATE	DESCRIPTION
IR	4/25/13	INITIAL RELEASE
A	8/22/13	UPDATED ASSEMBLY
B	10/7/13	UPDATED ASSEMBLY
C	10/22/13	ADDED BUTTON ASSEMBLY
D	7/22/15	UPDATED SUBASSEMBLIES



11.9


DETAIL-1 STOWED

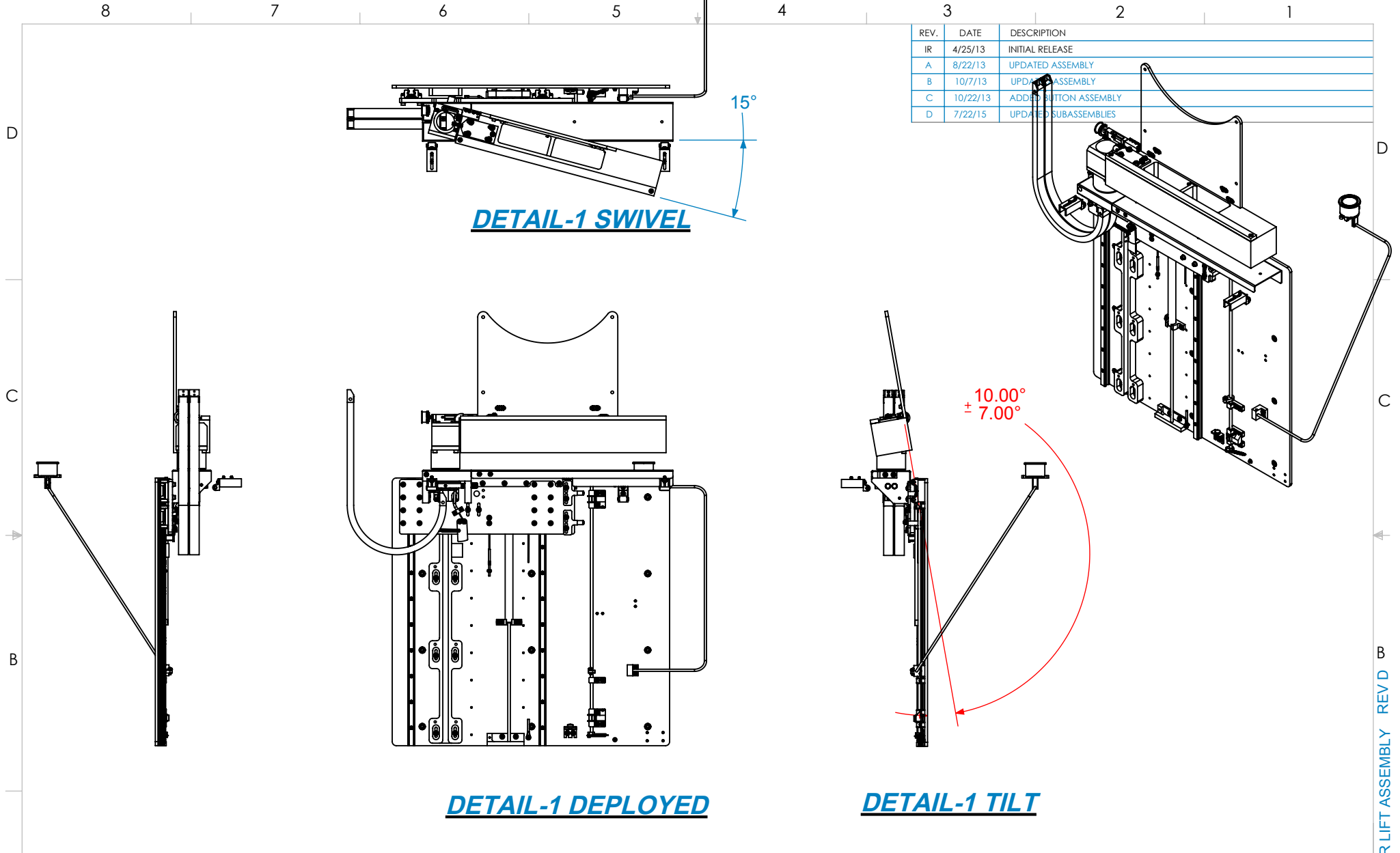


30.2


DETAIL-1 DEPLOYED

STEECON CORPORATION PROPRIETARY RIGHTS ARE INCLUDED IN THE INFORMATION DISCLOSED HEREIN. RECIPIENT BY ACCEPTING THIS DOCUMENT AGREES THAT NEITHER THIS DOCUMENT NOR THE INFORMATION DISCLOSED HEREIN NOR ANY PART THEREOF SHALL BE REPRODUCED OR TRANSFERRED TO OTHER DOCUMENTS OR USED OR DISCLOSED TO OTHERS FOR MANUFACTURING OR FOR ANY OTHER PURPOSE EXCEPT AS SPECIFICALLY AUTHORIZED IN WRITING BY STEECON CORPORATION.

UNLESS OTHERWISE SPECIFIED DIMENSIONS ARE IN INCHES			DRAWN BY		JD	DATE	4/25/13	 5362 INDUSTRIAL DRIVE HUNTINGTON BEACH, CA 92649
TOLERANCES ON DECIMALS			CHECKED BY		MH	DATE	4/26/13	
ANGLES			APPROVED		MH	DATE	4/26/13	
.0 ± .1	MACH.	FORMED						TITLE
.00 ± .01								23in MONITOR LIFT ASSEMBLY
.000 ± .005	±0°30'	±2°						DRAWING NUMBER
DO NOT SCALE PRINT BREAK ALL SHARP EDGES								3529-024
ODD DASH NO'S SHOWN NEXT HIGHER CONSECUTIVE EVEN DASH NUMBER OPPOSITE						SIZE	SCALE	SHEET NO.
						A	1:10	3 OF 6



STEECON CORPORATION PROPRIETARY RIGHTS ARE INCLUDED IN THE INFORMATION DISCLOSED HEREIN. RECIPIENT BY ACCEPTING THIS DOCUMENT AGREES THAT NEITHER THIS DOCUMENT NOR THE INFORMATION DISCLOSED HEREIN NOR ANY PART THEREOF SHALL BE REPRODUCED OR TRANSFERRED TO OTHER DOCUMENTS OR USED OR DISCLOSED TO OTHERS FOR MANUFACTURING OR FOR ANY OTHER PURPOSE EXCEPT AS SPECIFICALLY AUTHORIZED IN WRITING BY STEECON CORPORATION.

UNLESS OTHERWISE SPECIFIED DIMENSIONS ARE IN INCHES			DRAWN BY		JD	DATE	4/25/13	 5362 INDUSTRIAL DRIVE HUNTINGTON BEACH, CA 92649
TOLERANCES ON DECIMALS			CHECKED BY		MH	DATE	4/26/13	
.0 ± .1	MACH.	FORMED	APPROVED		MH	DATE	4/26/13	
.00 ± .01								
.000 ± .005	±0°30'	±2°						TITLE
DO NOT SCALE PRINT BREAK ALL SHARP EDGES							23in MONITOR LIFT ASSEMBLY	
ODD DASH NO'S SHOWN NEXT HIGHER CONSECUTIVE EVEN DASH NUMBER OPPOSITE							SIZE	A
							SCALE	1:12
							DRAWING NUMBER	3529-024
							SHEET NO.	4 OF 6

FILE:3529-024 23in MONITOR LIFT ASSEMBLY REV D