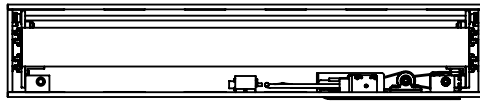
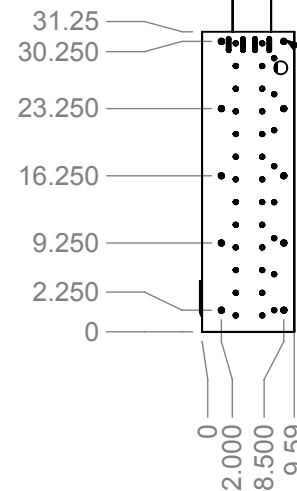
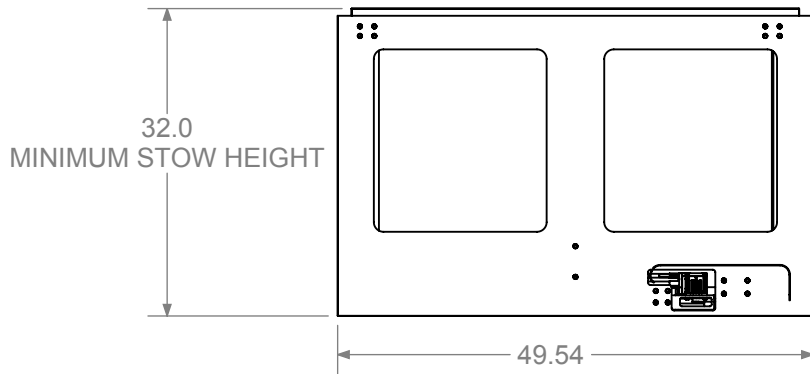
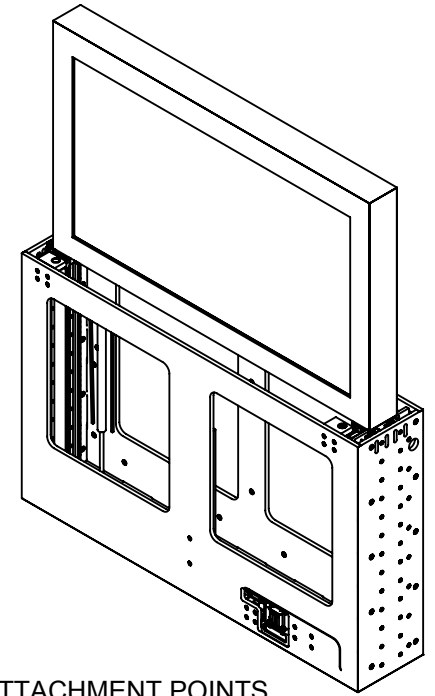


# INSTALLATION DRAWING

REV.	DATE	DESCRIPTION
1	10/31/12	INITIAL RELEASE
2	11/2/12	UPDATED ASSEMBLY
3	11/2/12	UPDATED DRAWING NUMBER
4	3/26/13	UPDATED ASSEMBLY-LOWER HOUSING 1" TALLER, MONITOR MOUNT MODIFIED TO ALLOW FOR PLUG




60.0  
MAXIMUM DEPLOYED HEIGHT



ATTACHMENT POINTS,  
10X EACH SIDE. #10  
THRU INSERT

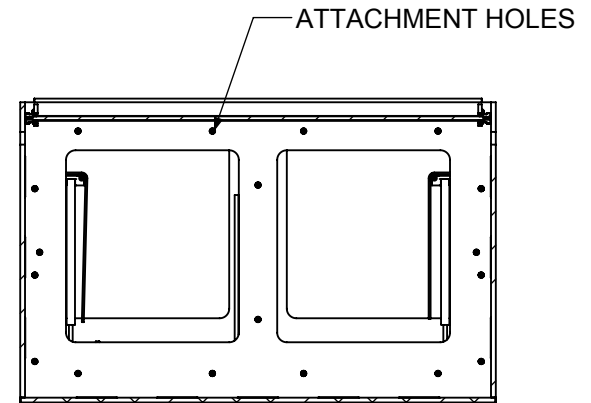
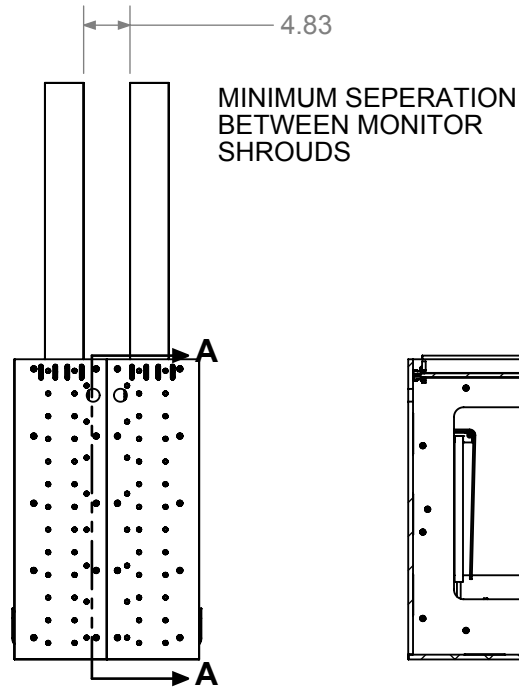
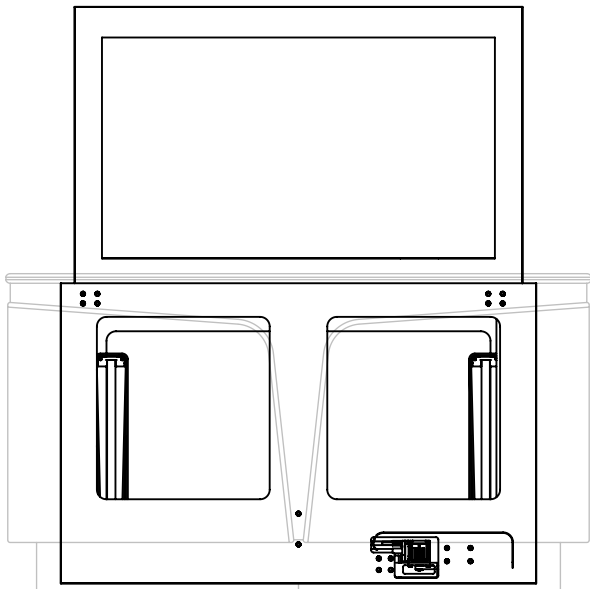
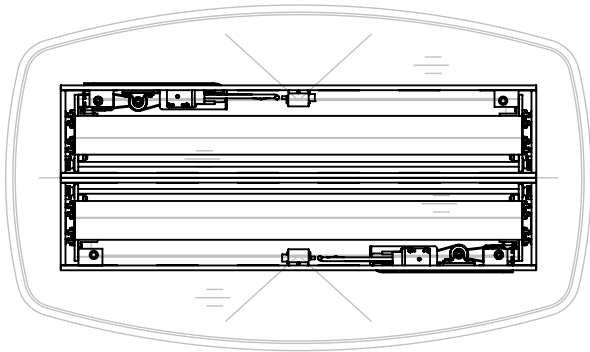
STEECON CORPORATION PROPRIETARY RIGHTS ARE INCLUDED IN THE INFORMATION DISCLOSED HEREIN. RECIPIENT BY ACCEPTING THIS DOCUMENT AGREES THAT NEITHER THIS DOCUMENT NOR THE INFORMATION DISCLOSED HEREIN NOR ANY PART THEREOF SHALL BE REPRODUCED OR TRANSFERRED TO OTHER DOCUMENTS OR USED OR DISCLOSED TO OTHERS FOR MANUFACTURING OR FOR ANY OTHER PURPOSE EXCEPT AS SPECIFICALLY AUTHORIZED IN WRITING BY STEECON CORPORATION.

UNLESS OTHERWISE SPECIFIED DIMENSIONS ARE IN INCHES			DRAWN BY	MH	DATE	10/31/12	 5362 INDUSTRIAL DRIVE HUNTINGTON BEACH, CA 92649
TOLERANCES ON DECIMALS			CHECKED BY	MH	DATE	10/31/12	
ANGLES			APPROVED	MH	DATE	10/31/12	
.0 ± .1	MACH.	FORMED					
.00 ± .01	±0°30'	±2°					
.000 ± .005							
DO NOT SCALE PRINT BREAK ALL SHARP EDGES					SIZE	A	TITLE <b>MONITOR LIFT ASSEMBLY                  INSTALLATION DRAWING</b>
ODD DASH NO'S SHOWN NEXT HIGHER CONSECUTIVE EVEN DASH NUMBER OPPOSITE					SCALE	1:20	
					DRAWING NUMBER	3529-022	SHEET NO. 1 OF 2

FILE:3529-022 MONITOR LIFT ASSEMBLY REV A

# INSTALLATION DRAWING

REV.	DATE	DESCRIPTION
1	10/31/12	INITIAL RELEASE
2	11/2/12	UPDATED ASSEMBLY
3	11/2/12	UPDATED DRAWING NUMBER
4	3/26/13	UPDATED ASSEMBLY-LOWER HOUSING 1" TALLER, MONITOR MOUNT MODIFIED TO ALLOW FOR PLUG



SECTION A-A

UNLESS OTHERWISE SPECIFIED DIMENSIONS ARE IN INCHES			DRAWN BY		MH	DATE		10/31/12		
TOLERANCES ON DECIMALS			CHECKED BY		MH	DATE		10/31/12		
ANGLES			APPROVED		MH	DATE		10/31/12		
.0 ± .1	MACH.	FORMED								
.00 ± .01	±0°30'	±2°								
.000 ± .005										
DO NOT SCALE PRINT BREAK ALL SHARP EDGES					SIZE		SCALE		DRAWING NUMBER	
ODD DASH NO'S SHOWN NEXT HIGHER CONSECUTIVE EVEN DASH NUMBER OPPOSITE					A		1:20		3519-022	
					SHEET NO.		2 OF 2			



TITLE MONITOR LIFT ASSEMBLY  
INSTALLATION DRAWING

STEECON CORPORATION PROPRIETARY RIGHTS ARE INCLUDED IN THE INFORMATION DISCLOSED HEREIN. RECIPIENT BY ACCEPTING THIS DOCUMENT AGREES THAT NEITHER THIS DOCUMENT NOR THE INFORMATION DISCLOSED HEREIN NOR ANY PART THEREOF SHALL BE REPRODUCED OR TRANSFERRED TO OTHER DOCUMENTS OR USED OR DISCLOSED TO OTHERS FOR MANUFACTURING OR FOR ANY OTHER PURPOSE EXCEPT AS SPECIFICALLY AUTHORIZED IN WRITING BY STEECON CORPORATION.

FILE:Assem1