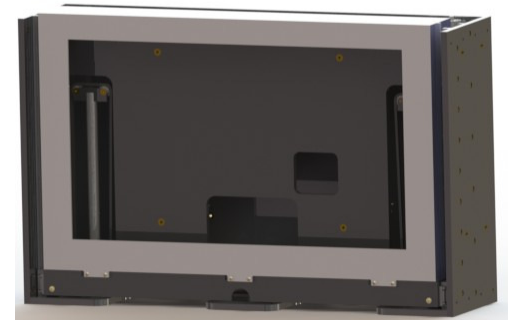
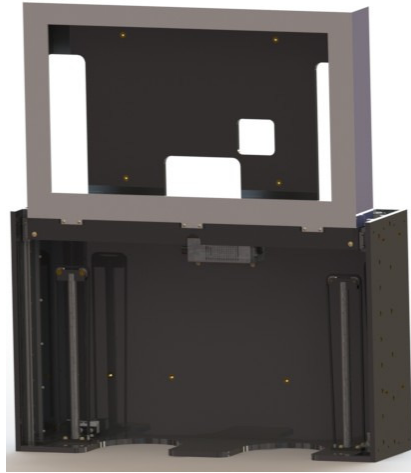


MONITOR LIFT CABINET INSTALLED ELECTRIC OPERATION P/N 3529-018



Monitor not included

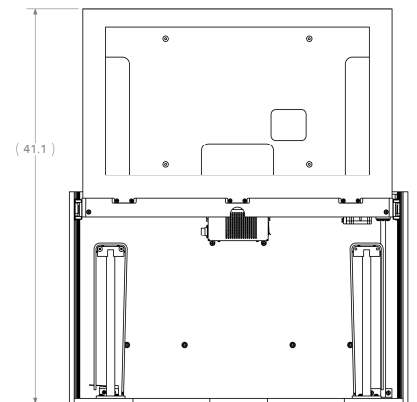
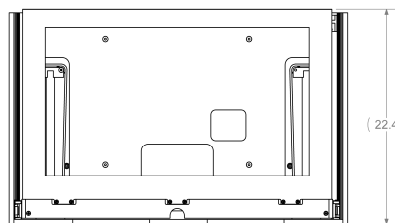
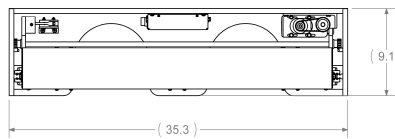
Features:

- Accommodates 32" to 42" monitors
- Monitor shroud included
- 28V DC robotic motor with manual override
- Preassembled for quick/easy installation

Technical Specifications:

(example: 32" monitor lift)

- Deployed dimensions:
41.1" H x 35.3" W x 9.1" D
- Stowed dimensions:
22.4" H x 35.3" W x 9.1" D
- Assembly weight: 41 lbs. without monitor
- Technical specs can be customized upon request



30 year industry leader in creative design solutions

Pocket Doors • Tables • Monitor Lifts

5362 Industrial Drive, Huntington Beach, CA 92649 USA
Tel: +1-714-895-5313 • Fax +1-714-895-3535
Email: info@steecon.com • Website: www.steecon.com