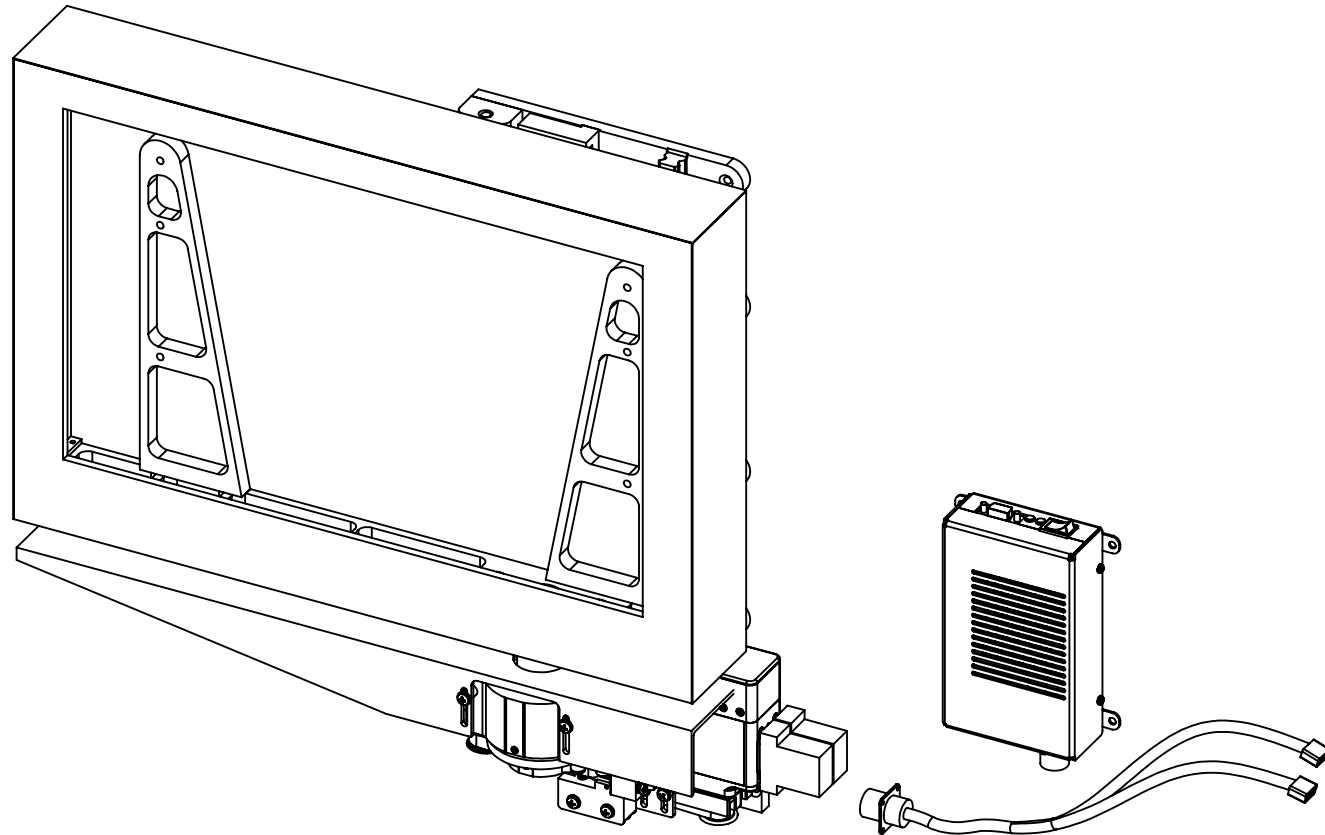



1	4	3513047	WIRE HARNESS	
1	3	3528645-1	MONITOR ASSEMBLY	
1	2	3528644-1	BASE ASSEMBLY	
1	1	3502744-1	ENCLOSURE ASSEMBLY	
-1/QTY.	ITEM	PART NUMBER	Description	SPEC

REV.	DATE	DESCRIPTION
IR	07/04/08	INITIAL RELEASE
A	10/24/08	UPDATED NOTES, REMOVED "EQUIVALENT" NOTE
B	3/18/09	ADDED SPACER, P/N 3528551
C	11/02/09	ASSEMBLY MODIFIED



**DETAIL -1 MONITOR LIFT - 20"**

UNLESS OTHERWISE SPECIFIED DIMENSIONS ARE IN INCHES			DRAWN BY J CILEO		DATE 07/04/08		 STEECON ENTERPRISES 5362 INDUSTRIAL DRIVE HUNTINGTON BEACH, CA 92649
TOLERANCES ON DECIMALS			CHECKED BY M HANSON		DATE 07/04/08		
ANGLES			APPROVED M HANSON		DATE 07/04/08		
.0 ± .1	MACH.	FORMED					
.00 ± .01							
.000 ± .005	±0°30'	±2°					
DO NOT SCALE PRINT BREAK ALL SHARP EDGES							TITLE <b>MONITOR LIFT-20"</b>
ODD DASH NO'S SHOWN NEXT HIGHER CONSECUTIVE EVEN DASH NUMBER OPPOSITE					SIZE A		SCALE 1:5
					DRAWING NUMBER <b>3529-010</b>		SHEET NO. 1 OF 3

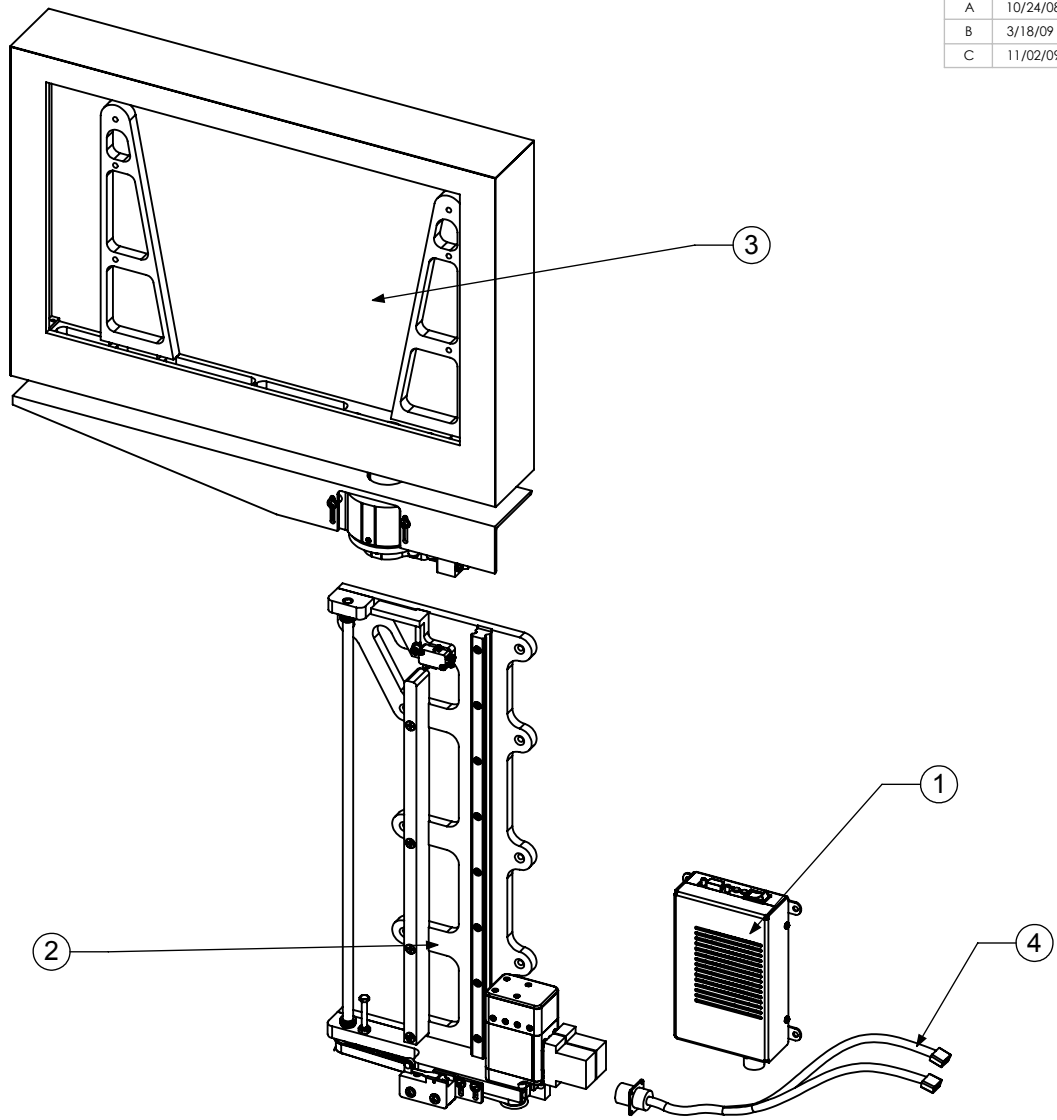
STEECON CORPORATION PROPRIETARY RIGHTS ARE INCLUDED IN THE INFORMATION DISCLOSED HEREIN. RECIPIENT BY ACCEPTING THIS DOCUMENT AGREES THAT NEITHER THIS DOCUMENT NOR THE INFORMATION DISCLOSED HEREIN NOR ANY PART THEREOF SHALL BE REPRODUCED OR TRANSFERRED TO OTHER DOCUMENTS OR USED OR DISCLOSED TO OTHERS FOR MANUFACTURING OR FOR ANY OTHER PURPOSE EXCEPT AS SPECIFICALLY AUTHORIZED IN WRITING BY STEECON CORPORATION.

8 7 6 5 4 3 2 1

REV.	DATE	DESCRIPTION
IR	07/04/08	INITIAL RELEASE
A	10/24/08	UPDATED NOTES, REMOVED "EQUIVALENT" NOTE
B	3/18/09	ADDED SPACER, P/N 3528551
C	11/02/09	ASSEMBLY MODIFIED

D  
C  
B  
A

D  
C  
B  
A



**DETAIL -1 MONITOR LIFT - 20"**

UNLESS OTHERWISE SPECIFIED DIMENSIONS ARE IN INCHES			DRAWN BY	J CILEO	DATE	07/04/08
TOLERANCES ON DECIMALS			CHECKED BY	M HANSON	DATE	07/04/08
ANGLES			APPROVED	M HANSON	DATE	07/04/08
.0 ± .1	MACH.	FORMED	Q.C.		DATE	
.00 ± .01					DATE	
.000 ± .005	±0°30'	±2°	CUSTOMER		DATE	
DO NOT SCALE PRINT BREAK ALL SHARP EDGES					SIZE	A
ODD DASH NO'S SHOWN NEXT HIGHER CONSECUTIVE EVEN DASH NUMBER OPPOSITE					SCALE	1:7

**STEECON**  
ENTERPRISES  
5362 INDUSTRIAL DRIVE  
HUNTINGTON BEACH, CA 92649

**MONITOR LIFT-20"**

DRAWING NUMBER  
**3529-010**

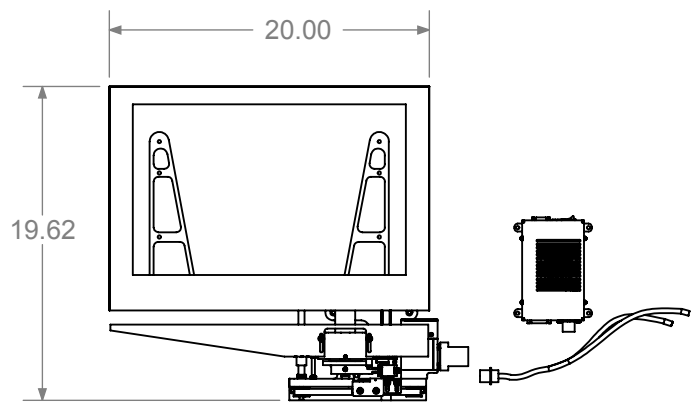
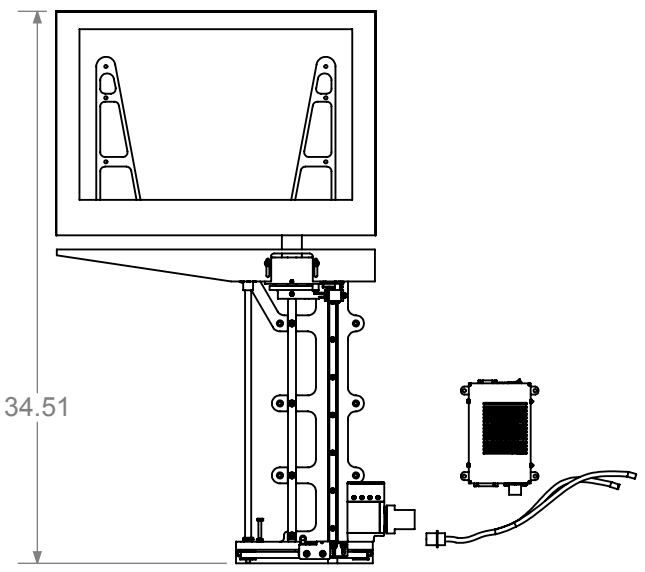
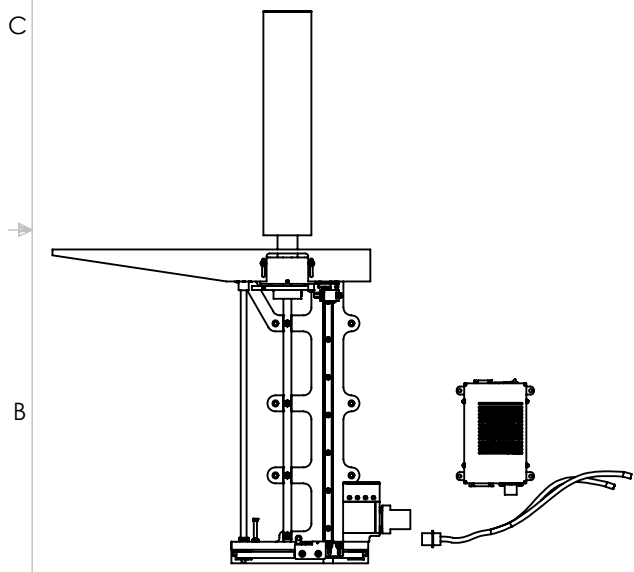
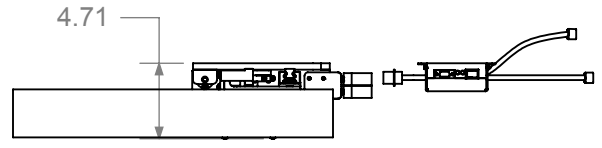
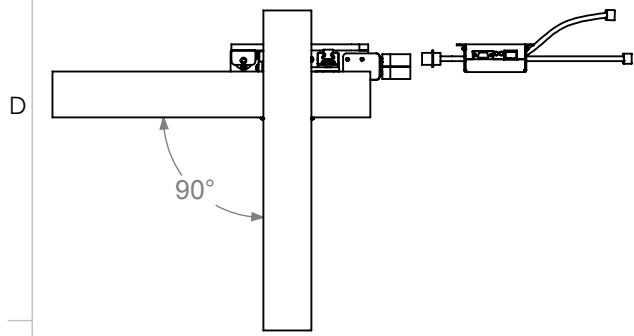
SHEET NO.  
2 OF 3

STEECON CORPORATION PROPRIETARY RIGHTS ARE INCLUDED IN THE INFORMATION DISCLOSED HEREIN. RECIPIENT BY ACCEPTING THIS DOCUMENT AGREES THAT NEITHER THIS DOCUMENT NOR THE INFORMATION DISCLOSED HEREIN NOR ANY PART THEREOF SHALL BE REPRODUCED OR TRANSFERRED TO OTHER DOCUMENTS OR USED OR DISCLOSED TO OTHERS FOR MANUFACTURING OR FOR ANY OTHER PURPOSE EXCEPT AS SPECIFICALLY AUTHORIZED IN WRITING BY STEECON CORPORATION.

8 7 6 5 4 3 2 1

8 7 6 5 4 3 2 1

REV.	DATE	DESCRIPTION
IR	07/04/08	INITIAL RELEASE
A	10/24/08	UPDATED NOTES, REMOVED "EQUIVALENT" NOTE
B	3/18/09	ADDED SPACER, P/N 3528551
C	11/02/09	ASSEMBLY MODIFIED




**DETAIL -1 DEPLOYED  
90 DEGREE ROTATED**

**DETAIL -1 DEPLOYED**

**DETAIL -1 STOWED**

A

UNLESS OTHERWISE SPECIFIED DIMENSIONS ARE IN INCHES			DRAWN BY J CILEO		DATE 07/04/08		 STEECON ENTERPRISES 5362 INDUSTRIAL DRIVE HUNTINGTON BEACH, CA 92649	
TOLERANCES ON DECIMALS			CHECKED BY M HANSON		DATE 07/04/08			
ANGLES			APPROVED M HANSON		DATE 07/04/08			
.0 ± .1 .00 ± .01 .000 ± .005			Q.C.		DATE			
MACH. FORMED			CUSTOMER		DATE		TITLE <b>MONITOR LIFT-20"</b>	
DO NOT SCALE PRINT BREAK ALL SHARP EDGES					DATE		DRAWING NUMBER <b>3529-010</b>	
ODD DASH NO'S SHOWN NEXT HIGHER CONSECUTIVE EVEN DASH NUMBER OPPOSITE					SIZE <b>A</b>		SCALE <b>1:12</b>	
					SHEET NO. <b>3 OF 3</b>			

STEECON CORPORATION PROPRIETARY RIGHTS ARE INCLUDED IN THE INFORMATION DISCLOSED HEREIN. RECIPIENT BY ACCEPTING THIS DOCUMENT AGREES THAT NEITHER THIS DOCUMENT NOR THE INFORMATION DISCLOSED HEREIN NOR ANY PART THEREOF SHALL BE REPRODUCED OR TRANSFERRED TO OTHER DOCUMENTS OR USED OR DISCLOSED TO OTHERS FOR MANUFACTURING OR FOR ANY OTHER PURPOSE EXCEPT AS SPECIFICALLY AUTHORIZED IN WRITING BY STEECON CORPORATION.

8 7 6 5 4 3 2 1