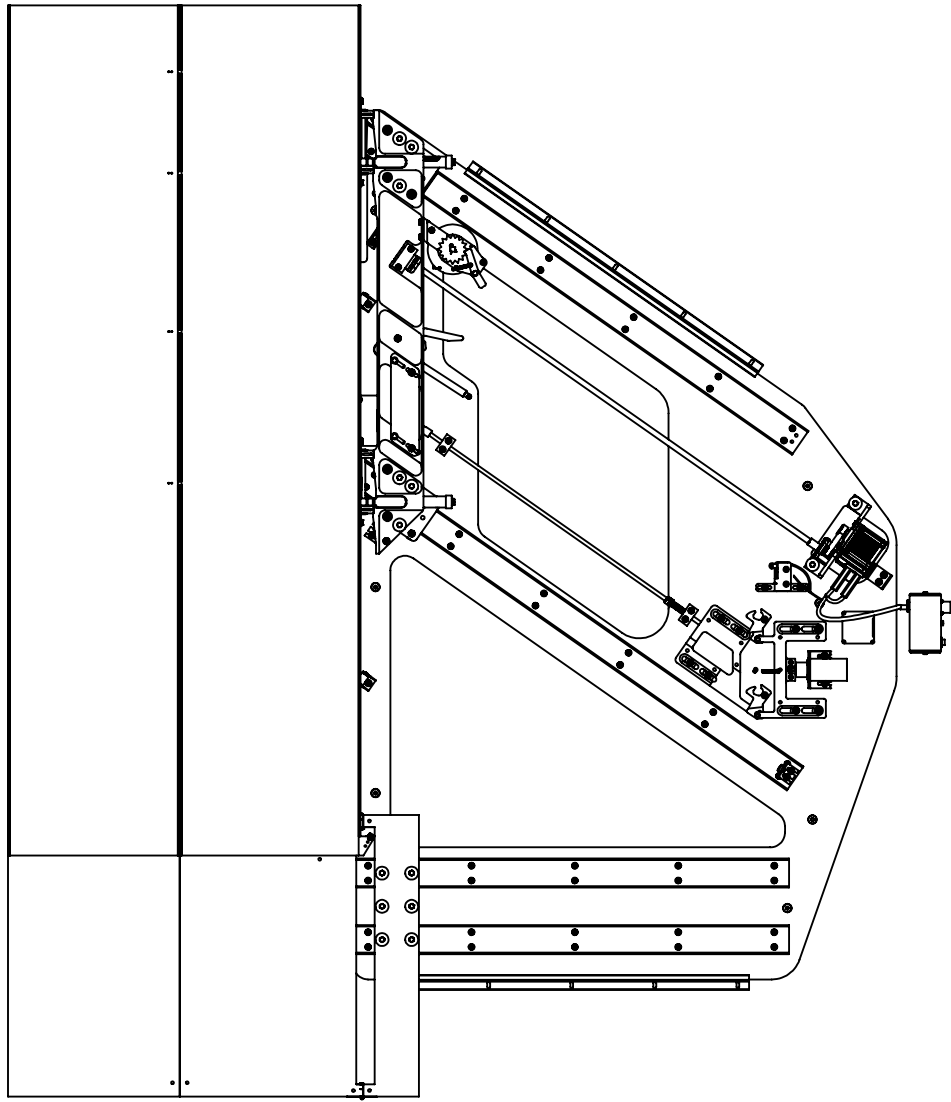
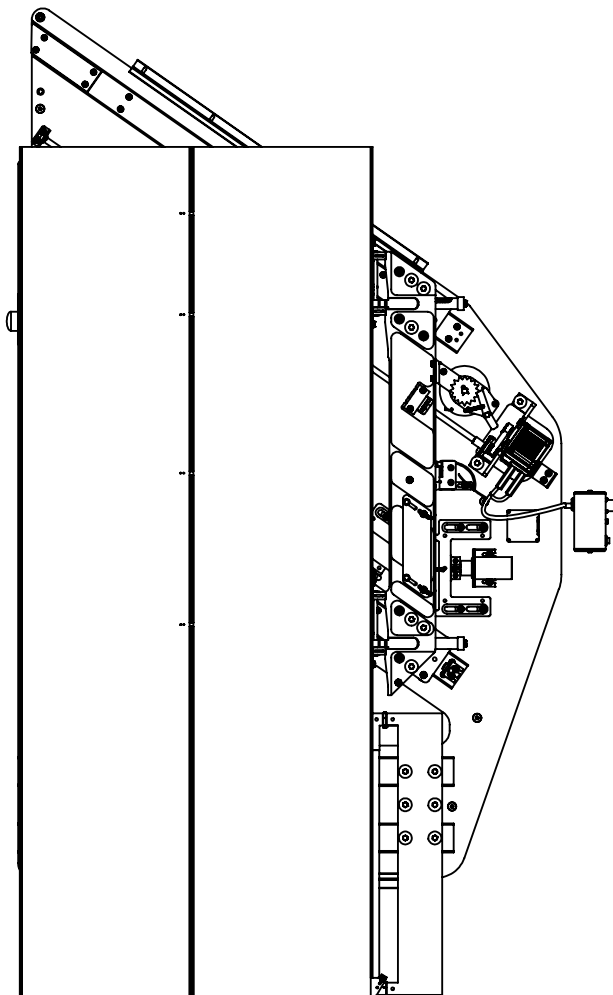



REV.	DATE	DESCRIPTION
IR	4/29/13	INITIAL RELEASE
A	5/20/13	ASSEMBLY UPDATED: 35021166-38.00 REPLACED WITH 35021166-36.39 IN 35021098



***DETAIL-1 POCKET DOOR ASSEMBLY  
DEPLOYED***



***DETAIL-1 POCKET DOOR ASSEMBLY  
STOWED***

UNLESS OTHERWISE SPECIFIED DIMENSIONS ARE IN INCHES			DRAWN BY	MT	DATE	4/29/13	 5362 INDUSTRIAL DRIVE HUNTINGTON BEACH, CA 92649 <b>TITLE</b> <b>POCKET DOOR ASSEMBLY-ELECTRIC</b> <b>DRAWING NUMBER</b> <b>3519-218</b> <b>SHEET NO.</b> <b>4 OF 5</b>
TOLERANCES ON DECIMALS			CHECKED BY	MH	DATE	4/29/13	
.0 ± .1	MACH.	FORMED	APPROVED	MH	DATE	4/29/13	
.00 ± .01	±0°30'	±2°					
.000 ± .005							
DO NOT SCALE PRINT BREAK ALL SHARP EDGES							
ODD DASH NO'S SHOWN NEXT HIGHER CONSECUTIVE EVEN DASH NUMBER OPPOSITE							
					SIZE	A	
					SCALE	1:13	

STEECON CORPORATION PROPRIETARY RIGHTS ARE INCLUDED IN THE INFORMATION DISCLOSED HEREIN. RECIPIENT BY ACCEPTING THIS DOCUMENT AGREES THAT NEITHER THIS DOCUMENT NOR THE INFORMATION DISCLOSED HEREIN NOR ANY PART THEREOF SHALL BE REPRODUCED OR TRANSFERRED TO OTHER DOCUMENTS OR USED OR DISCLOSED TO OTHERS FOR MANUFACTURING OR FOR ANY OTHER PURPOSE EXCEPT AS SPECIFICALLY AUTHORIZED IN WRITING BY STEECON CORPORATION.

