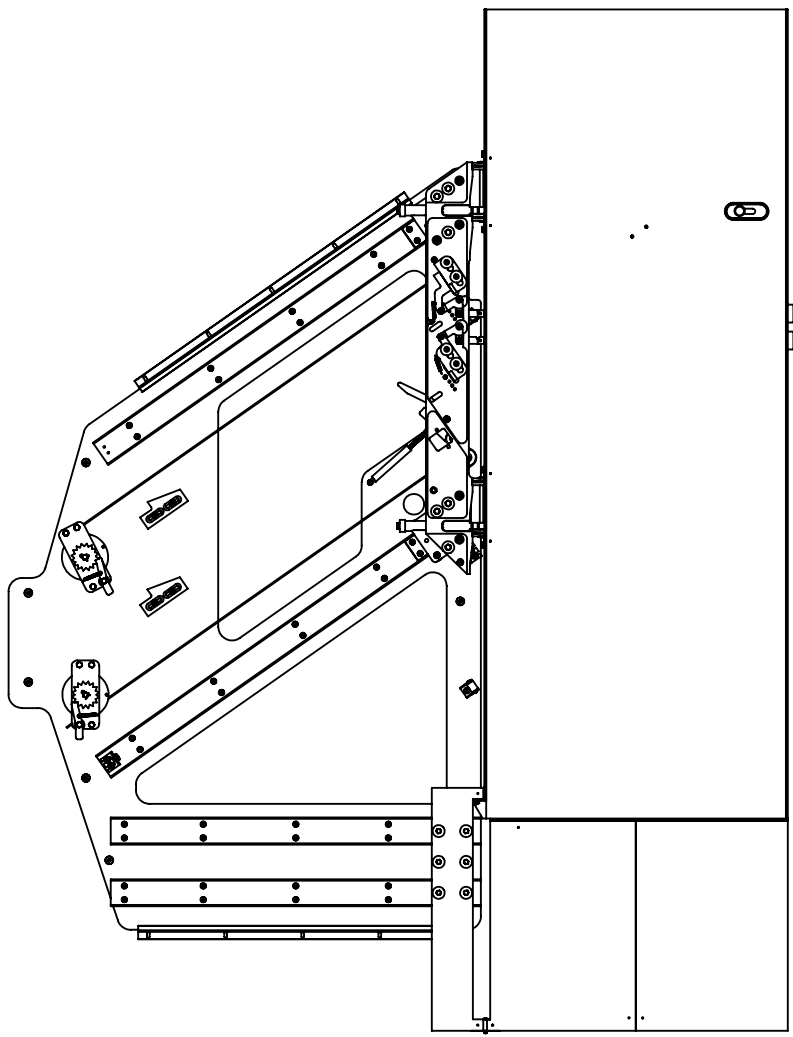


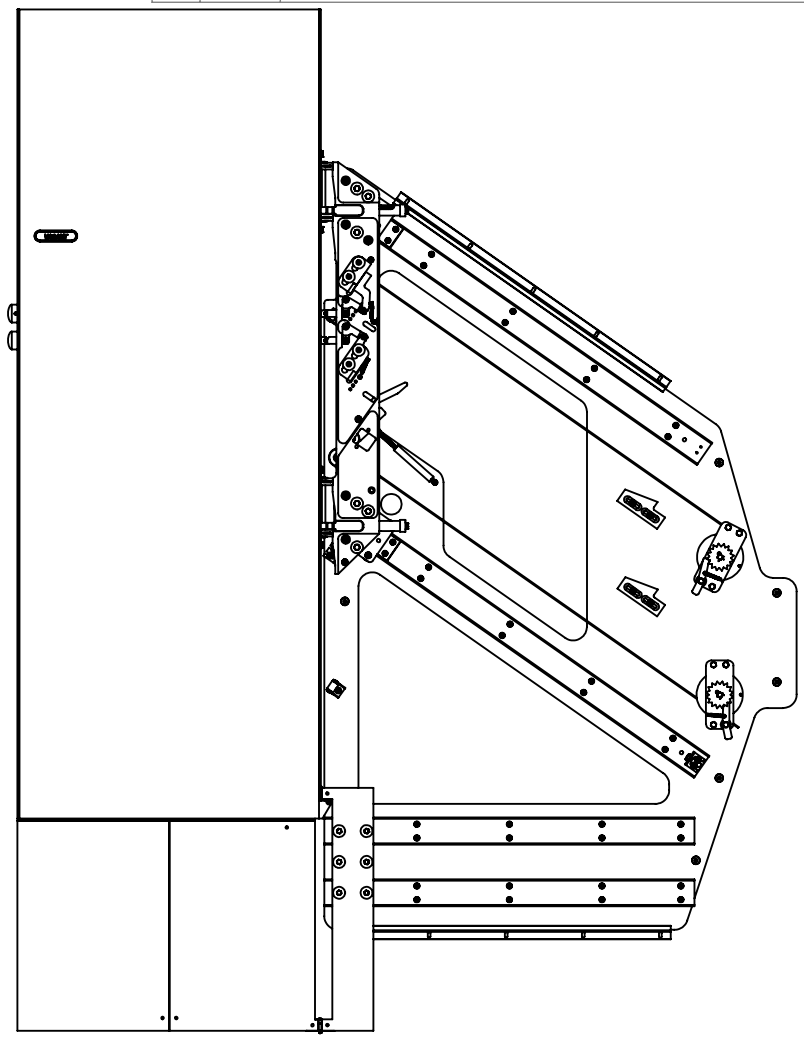
8 7 6 5 4 3 2 1

REV.	DATE	DESCRIPTION
IR	09/16/10	INITIAL RELEASE
A	2/14/11	ASSEMBLY UPDATED
B	6/14/11	3502970-3 REPLACED WITH 3502970-1

D  
C  
B  
A




**DETAIL-4 POCKET DOOR ASSEMBLY**



**DETAIL-3 POCKET DOOR ASSEMBLY**

D  
C  
B  
A  
REV C  
FILE:3519-183 POCKET DOOR ASSEMBLY

STEECON CORPORATION PROPRIETARY RIGHTS ARE INCLUDED IN THE INFORMATION DISCLOSED HEREIN. RECIPIENT BY ACCEPTING THIS DOCUMENT AGREES THAT NEITHER THIS DOCUMENT NOR THE INFORMATION DISCLOSED HEREIN NOR ANY PART THEREOF SHALL BE REPRODUCED OR TRANSFERRED TO OTHER DOCUMENTS OR USED OR DISCLOSED TO OTHERS FOR MANUFACTURING OR FOR ANY OTHER PURPOSE EXCEPT AS SPECIFICALLY AUTHORIZED IN WRITING BY STEECON CORPORATION.

UNLESS OTHERWISE SPECIFIED DIMENSIONS ARE IN INCHES			DRAWN BY		MT	DATE	09/16/10	 5362 INDUSTRIAL DRIVE HUNTINGTON BEACH, CA 92649	
TOLERANCES ON DECIMALS			CHECKED BY		MH	DATE	09/16/10		
ANGLES			APPROVED		MH	DATE	09/16/10		
.0 ± .1	MACH.	FORMED						TITLE	
.00 ± .01								POCKET DOOR ASSEMBLY	
.000 ± .005	±0°30'	±2°						DRAWING NUMBER	
DO NOT SCALE PRINT BREAK ALL SHARP EDGES								3519-183	
ODD DASH NO'S SHOWN NEXT HIGHER CONSECUTIVE EVEN DASH NUMBER OPPOSITE								SHEET NO.	
						SIZE	SCALE	6 OF 6	
						A	1:14		

8 7 6 5 4 3 2 1