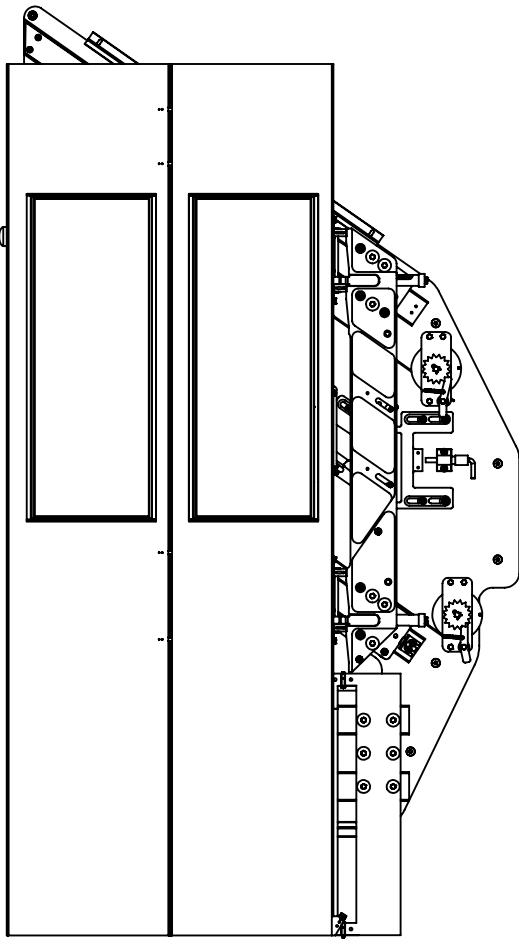
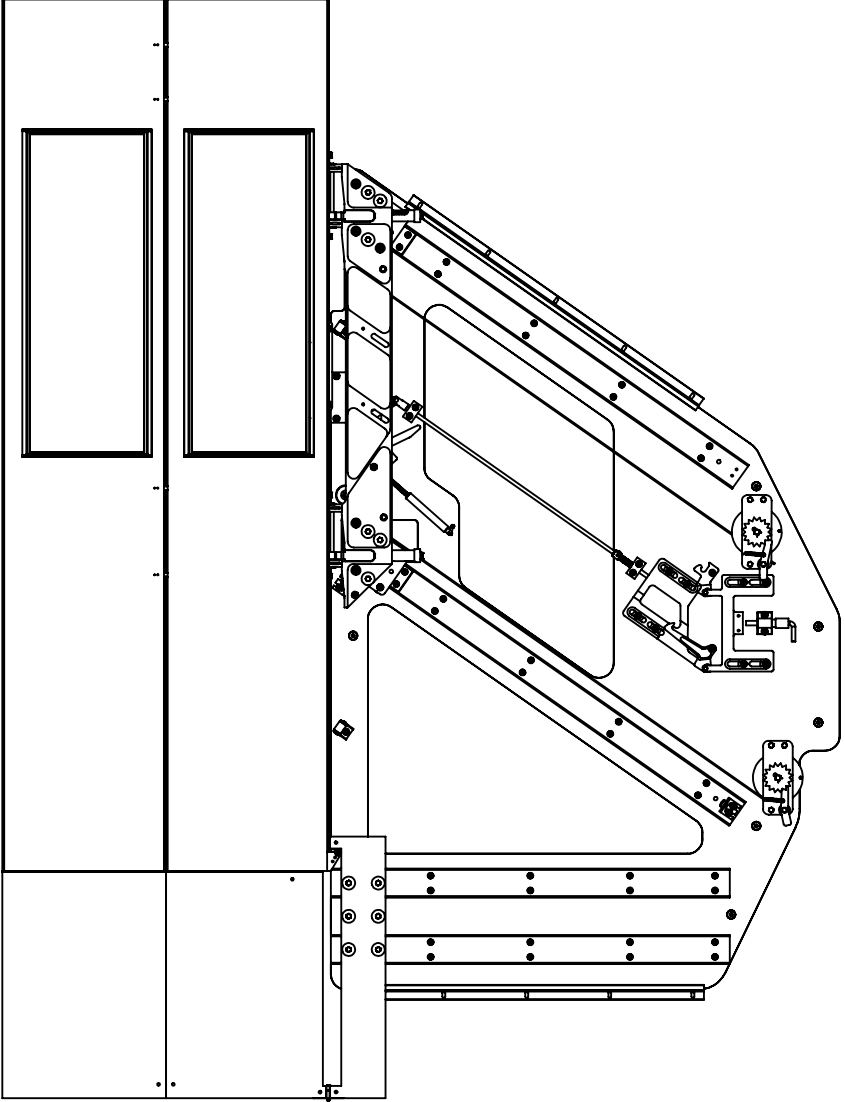


8 7 6 5 4 3 2 1

REV.	DATE	DESCRIPTION
IR	03/12/10	INITIAL RELEASE
A	8/23/10	UPDATED ASSEMBLY
B	09/29/10	UPDATED ASSEMBLY
C	3/19/12	3502709 REPLACED WITH 35021071

D
C
B
A




D
C
B

**3519-176-3 POCKET DOOR ASSEMBLY
DEPLOYED**

**3519-176-3 POCKET DOOR ASSEMBLY
STOWED**

STEECON CORPORATION PROPRIETARY RIGHTS ARE INCLUDED IN THE INFORMATION DISCLOSED HEREIN. RECIPIENT BY ACCEPTING THIS DOCUMENT AGREES THAT NEITHER THIS DOCUMENT NOR THE INFORMATION DISCLOSED HEREIN NOR ANY PART THEREOF SHALL BE REPRODUCED OR TRANSFERRED TO OTHER DOCUMENTS OR USED OR DISCLOSED TO OTHERS FOR MANUFACTURING OR FOR ANY OTHER PURPOSE EXCEPT AS SPECIFICALLY AUTHORIZED IN WRITING BY STEECON CORPORATION.

UNLESS OTHERWISE SPECIFIED DIMENSIONS ARE IN INCHES		DRAWN BY	MT	DATE	03/12/10	 5362 INDUSTRIAL DRIVE HUNTINGTON BEACH, CA 92649
TOLERANCES ON DECIMALS ANGLES		CHECKED BY	MH	DATE	03/12/10	
.0 ± .1	MACH.	APPROVED	MH	DATE	03/12/10	
.00 ± .01	±0°30'					TITLE
.000 ± .005	±2°					POCKET DOOR ASSEMBLY
DO NOT SCALE PRINT BREAK ALL SHARP EDGES				SIZE	SCALE	DRAWING NUMBER
ODD DASH NO'S SHOWN NEXT HIGHER CONSECUTIVE EVEN DASH NUMBER OPPOSITE				A	1:13	3519-176
						SHEET NO. 3 OF 3

8 7 6 5 4 3 2 1

REV C
FILE:3519-176 POCKET DOOR ASSEMBLY