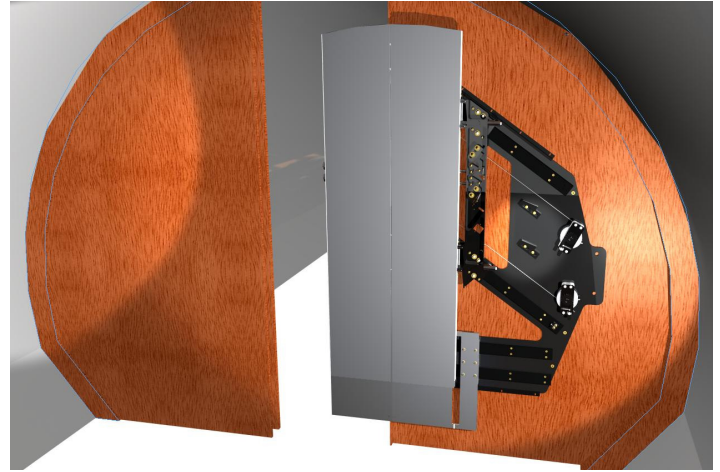
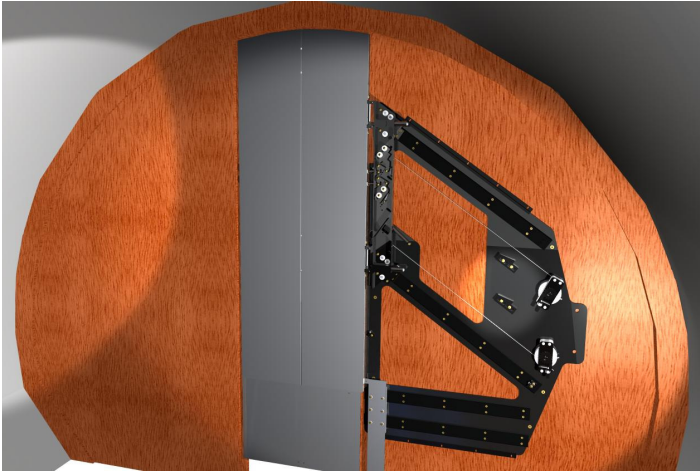


**POCKET DOOR ASSEMBLY**  
MID-CABIN  
MANUAL OPERATION  
P/N 3519-175



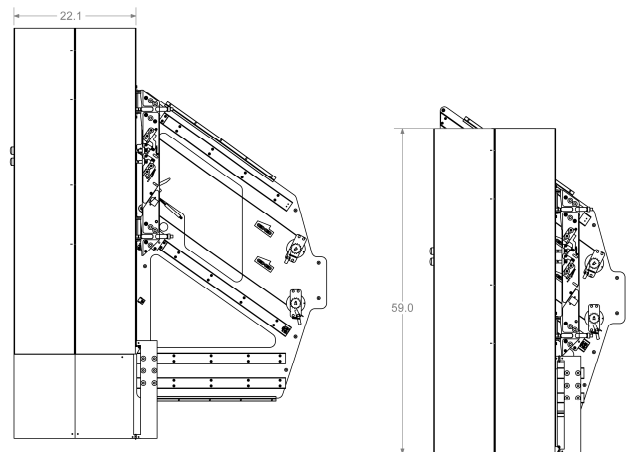
Finish material not included

**Features:**

- Unique frangible hinges allow door to rotate for decompression/egress with door reset capability
- Break-away footer/descender provides 2nd decompression outlet
- Mid-break/split door panel offers 3rd decompression source
- Preassembled for quick/easy installation
- Electric motor upgrade available

**Technical Specifications:**

- Opening size: 22"
- Assembly weight: 35 lbs. includes door panel, footer panel and support panel assembly
- 2.25" pocket required
- Technical specs can be customized upon request



**30 year industry leader in creative design solutions**

**Pocket Doors • Tables • Monitor Lifts**

5362 Industrial Drive, Huntington Beach, CA 92649 USA

Tel: +1-714-895-5313 • Fax +1-714-895-3535

Email: [info@steecon.com](mailto:info@steecon.com) • Website: [www.steecon.com](http://www.steecon.com)