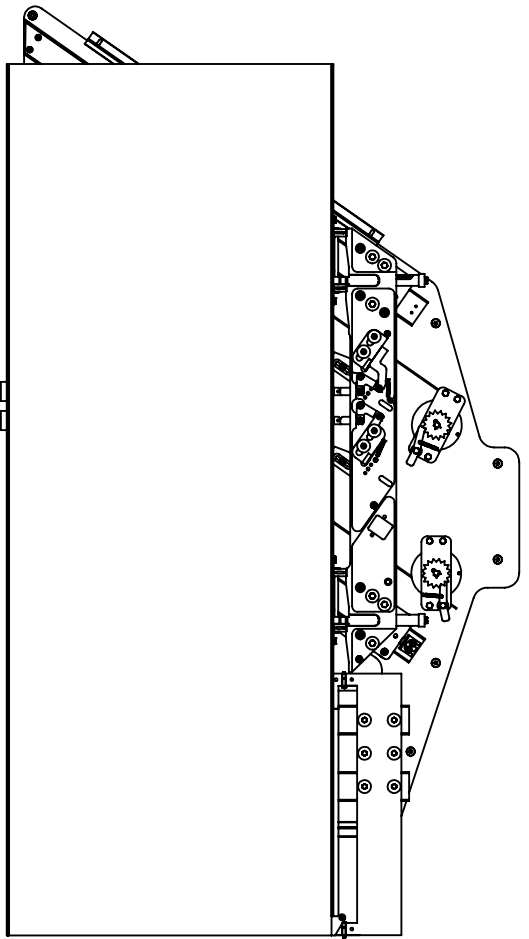
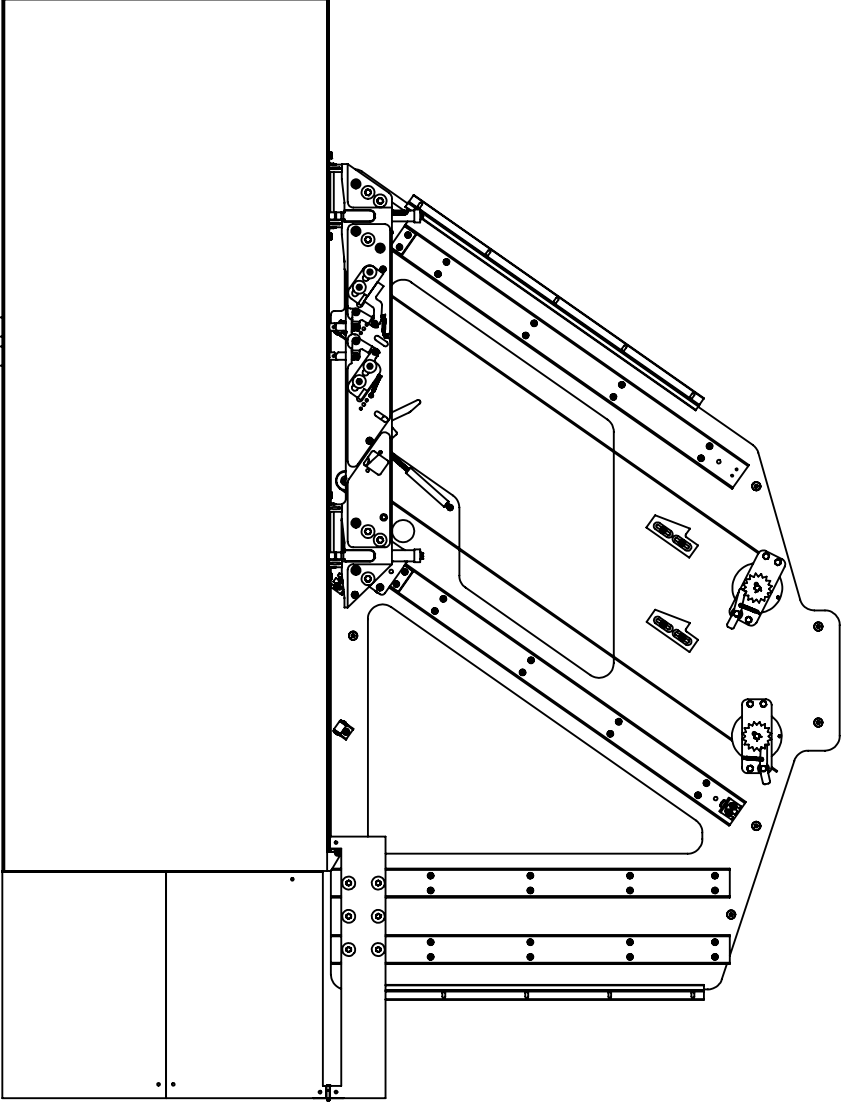


8 7 6 5 4 3 2 1

REV.	DATE	DESCRIPTION
IR	03/12/10	INITIAL RELEASE
A	08/10/10	UPDATED ASSEMBLY
B	9/29/10	UPDATED ASSEMBLY
C	2/14/11	UPDATED ASSEMBLY
D	6/13/11	3502970-3 REPLACED WITH 3502970-1
E	10/25/11	PAGE 3 ADDED

D
C
B
A




D
C
B
A
REV E
FILE:3519-174 POCKET DOOR ASSEMBLY

**3519-174-3 POCKET DOOR ASSEMBLY
DEPLOYED**

**3519-174-3 POCKET DOOR ASSEMBLY
STOWED**

STEECON CORPORATION PROPRIETARY RIGHTS ARE INCLUDED IN THE INFORMATION DISCLOSED HEREIN. RECIPIENT BY ACCEPTING THIS DOCUMENT AGREES THAT NEITHER THIS DOCUMENT NOR THE INFORMATION DISCLOSED HEREIN NOR ANY PART THEREOF SHALL BE REPRODUCED OR TRANSFERRED TO OTHER DOCUMENTS OR USED OR DISCLOSED TO OTHERS FOR MANUFACTURING OR FOR ANY OTHER PURPOSE EXCEPT AS SPECIFICALLY AUTHORIZED IN WRITING BY STEECON CORPORATION.

UNLESS OTHERWISE SPECIFIED DIMENSIONS ARE IN INCHES		DRAWN BY	MT	DATE	03/12/10	 5362 INDUSTRIAL DRIVE HUNTINGTON BEACH, CA 92649	
TOLERANCES ON DECIMALS ANGLES		CHECKED BY	MH	DATE	03/12/10		
.0 ± .1	MACH.	FORMED	APPROVED	MH	DATE		03/12/10
.00 ± .01	±0°30'	±2°					
.000 ± .005		DO NOT SCALE PRINT BREAK ALL SHARP EDGES				TITLE	POCKET DOOR ASSEMBLY
ODD DASH NO'S SHOWN NEXT HIGHER CONSECUTIVE EVEN DASH NUMBER OPPOSITE		SIZE	A	SCALE	1:13	DRAWING NUMBER	3519-174
						SHEET NO.	4 OF 4

8 7 6 5 4 3 2 1