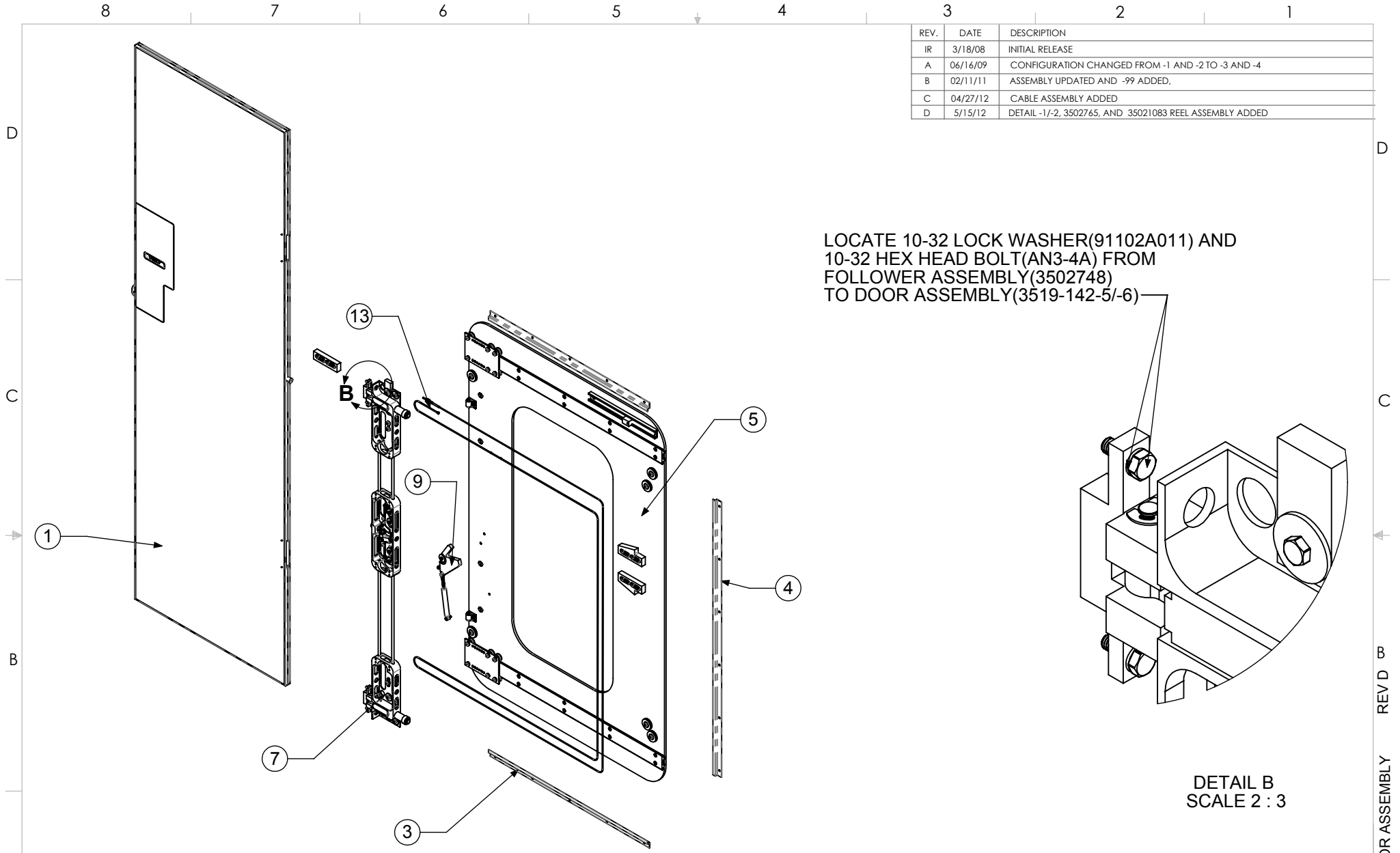
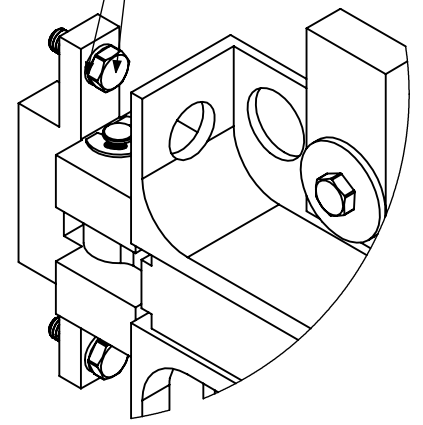


REV.	DATE	DESCRIPTION
IR	3/18/08	INITIAL RELEASE
A	06/16/09	CONFIGURATION CHANGED FROM -1 AND -2 TO -3 AND -4
B	02/11/11	ASSEMBLY UPDATED AND -99 ADDED,
C	04/27/12	CABLE ASSEMBLY ADDED
D	5/15/12	DETAIL -1/-2, 3502765, AND 35021083 REEL ASSEMBLY ADDED




LOCATE 10-32 LOCK WASHER(91102A011) AND 10-32 HEX HEAD BOLT(AN3-4A) FROM FOLLOWER ASSEMBLY(3502748) TO DOOR ASSEMBLY(3519-142-5/-6)



DETAIL B  
SCALE 2 : 3

**DETAIL -3 POCKET DOOR ASSEMBLY**  
**DETAIL -4 OPPOSITE NOT SHOWN**

STEECON CORPORATION PROPRIETARY RIGHTS ARE INCLUDED IN THE INFORMATION DISCLOSED HEREIN. RECIPIENT BY ACCEPTING THIS DOCUMENT AGREES THAT NEITHER THIS DOCUMENT NOR THE INFORMATION DISCLOSED HEREIN NOR ANY PART THEREOF SHALL BE REPRODUCED OR TRANSFERRED TO OTHER DOCUMENTS OR USED OR DISCLOSED TO OTHERS FOR MANUFACTURING OR FOR ANY OTHER PURPOSE EXCEPT AS SPECIFICALLY AUTHORIZED IN WRITING BY STEECON CORPORATION.

UNLESS OTHERWISE SPECIFIED DIMENSIONS ARE IN INCHES			DRAWN BY	MH	DATE	3/18/08	 5362 INDUSTRIAL DRIVE HUNTINGTON BEACH, CA 92649	
TOLERANCES ON DECIMALS			CHECKED BY	CS	DATE	3/18/08		
.0 ± .1	MACH.	FORMED	APPROVED	CS	DATE	3/18/08		
.00 ± .01			±0°30'	±2°				
.000 ± .005			DO NOT SCALE PRINT BREAK ALL SHARP EDGES				TITLE	
ODD DASH NO'S SHOWN NEXT HIGHER CONSECUTIVE EVEN DASH NUMBER OPPOSITE			SIZE				A	SCALE
			1:14				DRAWING NUMBER	SHEET NO.
							3519-142	3 OF 7

FILE:3519-142 POCKET DOOR ASSEMBLY REV D