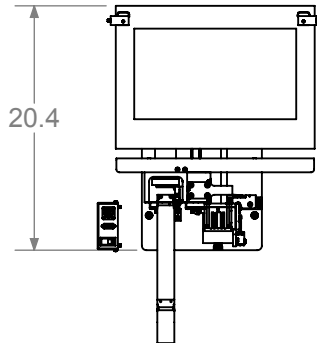
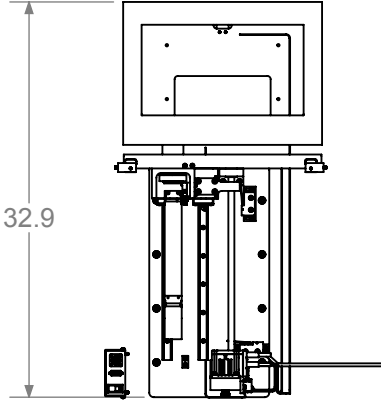


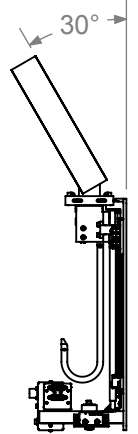
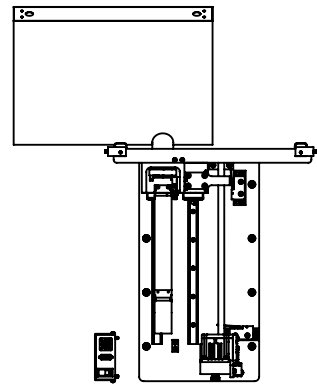
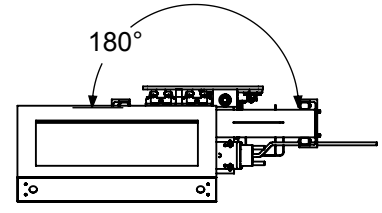
REV.	DATE	DESCRIPTION
IR	8/27/14	INITIAL RELEASE




DETAIL -1  
STOWED



DETAIL -1  
DEPLOYED



DETAIL -1  
DEPLOYED, ROTATED AND TILTED

UNLESS OTHERWISE SPECIFIED DIMENSIONS ARE IN INCHES			DRAWN BY		MH	DATE	8/27/14	 5362 INDUSTRIAL DRIVE HUNTINGTON BEACH, CA 92649	
TOLERANCES ON DECIMALS			CHECKED BY		JD	DATE	8/27/14		
TOLERANCES ON ANGLES			APPROVED		JD	DATE	8/27/14		
.0 ± .15	MACH.	FORMED							
.00 ± .01									
.000 ± .005	±0°30'	±2°							
DO NOT SCALE PRINT BREAK ALL SHARP EDGES			SIZE		A	SCALE	1:16	TITLE	15IN MONITOR LIFT ASSEMBLY
ODD DASH NO'S SHOWN NEXT HIGHER CONSECUTIVE EVEN DASH NUMBER OPPOSITE			DRAWING NUMBER		3529-025-1-001		SHEET NO.	3 OF 4	

STEECON CORPORATION PROPRIETARY RIGHTS ARE INCLUDED IN THE INFORMATION DISCLOSED HEREIN. RECIPIENT BY ACCEPTING THIS DOCUMENT AGREES THAT NEITHER THIS DOCUMENT NOR THE INFORMATION DISCLOSED HEREIN NOR ANY PART THEREOF SHALL BE REPRODUCED OR TRANSFERRED TO OTHER DOCUMENTS OR USED OR DISCLOSED TO OTHERS FOR MANUFACTURING OR FOR ANY OTHER PURPOSE EXCEPT AS SPECIFICALLY AUTHORIZED IN WRITING BY STEECON CORPORATION.

FILE:3529-025-1-001 15IN MONITOR LIFT ASSEMBLY REV IR B