

SIDE LEDGE TABLE

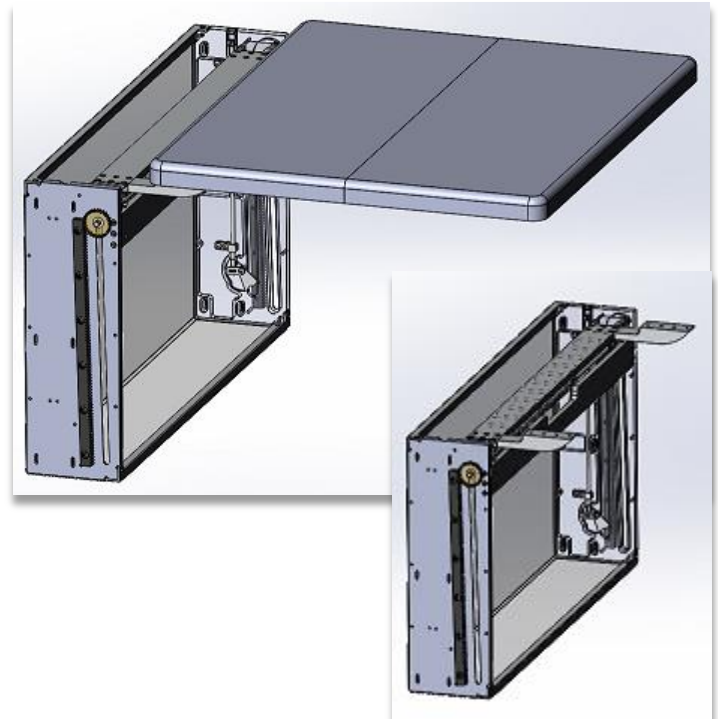
MANUAL OPERATION P/N 3523-034-1-001

Features:

- Utilizes heavy duty gear and rack – reduces breakage and improves operability
- Incorporates spring allowing for faster/easier tuning to match table top weight
- Safety latch prevents table from immediately deploying out of the pocket when lid is opened
- Designed for size scalability and easy table top leveling
- Available in manual or electric operation
- Abuse load analysis done for Airbus and Boeing aircraft; recently installed in a B777-300ER

Technical Specifications:

- Dimensions (can be scaled up/down):
19.66" H x 35.40" W x 6.31" D
- Technical specs customizable to your project requirements



Pocket Doors • Tables • Monitor & Custom Lifts
34-year industry leader in creative design solutions for aircraft interiors